

CAD Services Include:

- Electrical schematics
- 3D Design
- Single line drawings
- Cable and wiring schedules
- Sizing and cable support designs
- Electrical layout drawings
- P&ID drawings
- PLC and instrumentation
- Termination drawings
- Instrument loop drawings
- Flow charts
- Control panel instrumentation
- Electrical panel design
- As builds
- Site investigation & verification

Areas of Expertise

CAD software

Autocad 2017
Autocad 2017 3D
Microstation

Contact

Auckland
Level 4
6 Arawa Street
Grafton
Auckland 1023

+64 (0) 9 377 6660

PO Box 8643
Symonds Street Auckland

info@mcmahon.co.nz
www.mcmahon.co.nz

Tauranga
Unit 4/30
Willow Street
Tauranga 3110

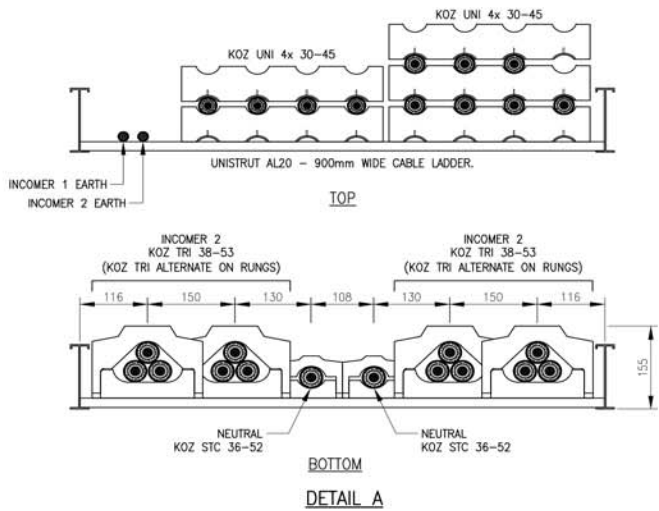
+64 (0) 7 579 5520

Napier
Level 2
Price Waterhouse Coopers Building
36 Munroe Street
Napier 4110

+64 (0) 6 835 1969

Major Clients

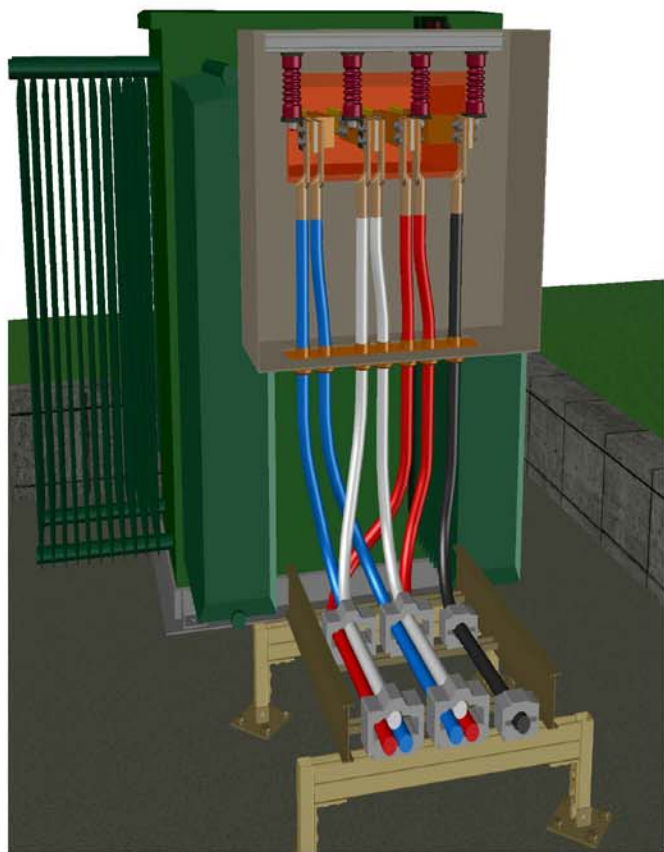




Experience

McMahon Ltd CAD designers all have considerable experience and training. Our preferred CAD software packages are AutoCAD and Microstation. Our senior CAD designers are proficient in 3D modelling. For larger projects we can also provide additional CAD resource from external Contractors managed and peer reviewed by McMahon Ltd. CV's can be provided on request.

McMahon Ltd has Senior Electrical Engineers available in offices in Auckland, Tauranga and Napier. Engineers are supported by the in-house CAD services, specialist software packages, and we have access to third party specialist services and complimentary Consultants as required.

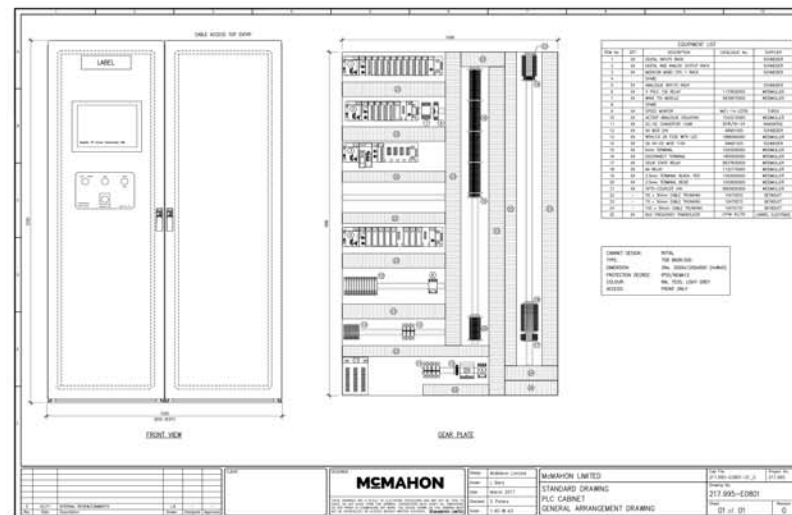


Practical engineering solutions CAD Services

About us

We are a practical 'hands on' oriented group of Engineers and in-house CAD designers. No matter what your electrical draughting requirements are, we will offer you a professional and cost effective CAD service of the highest quality.

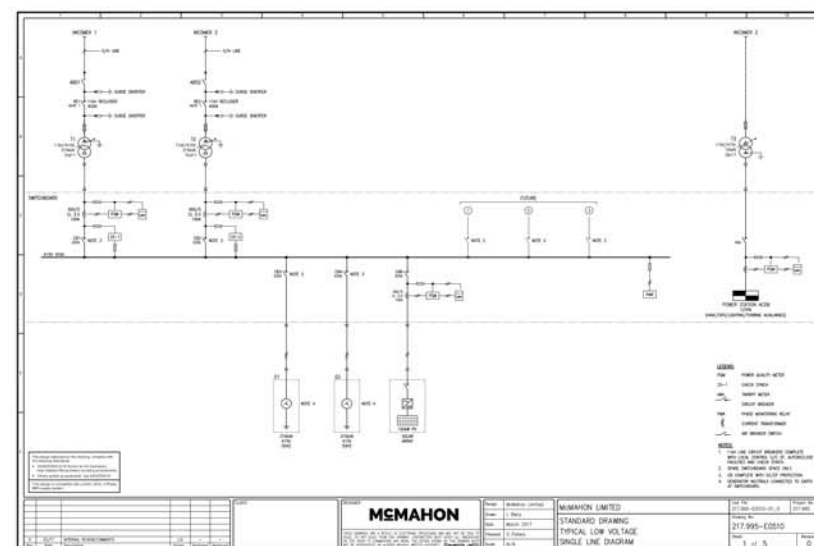
Our CAD designers can also provide site measure-up or verification. Engineering support can also be provided as required.



Our Goal

Traditionally companies have lost the necessary skills to keep critical electrical documentation up to date. Having accurate site electrical documentation is a requirement under Health and Safety compliance law and we can take that documentation burden away from you.

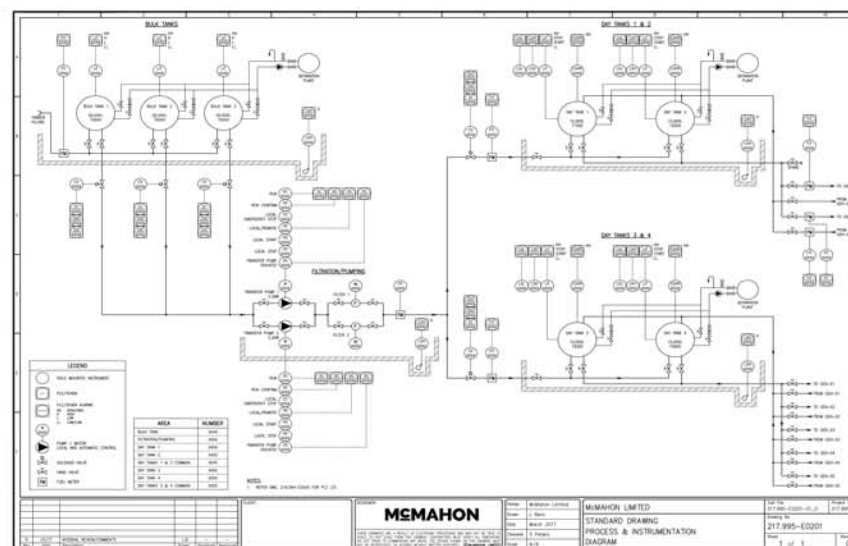
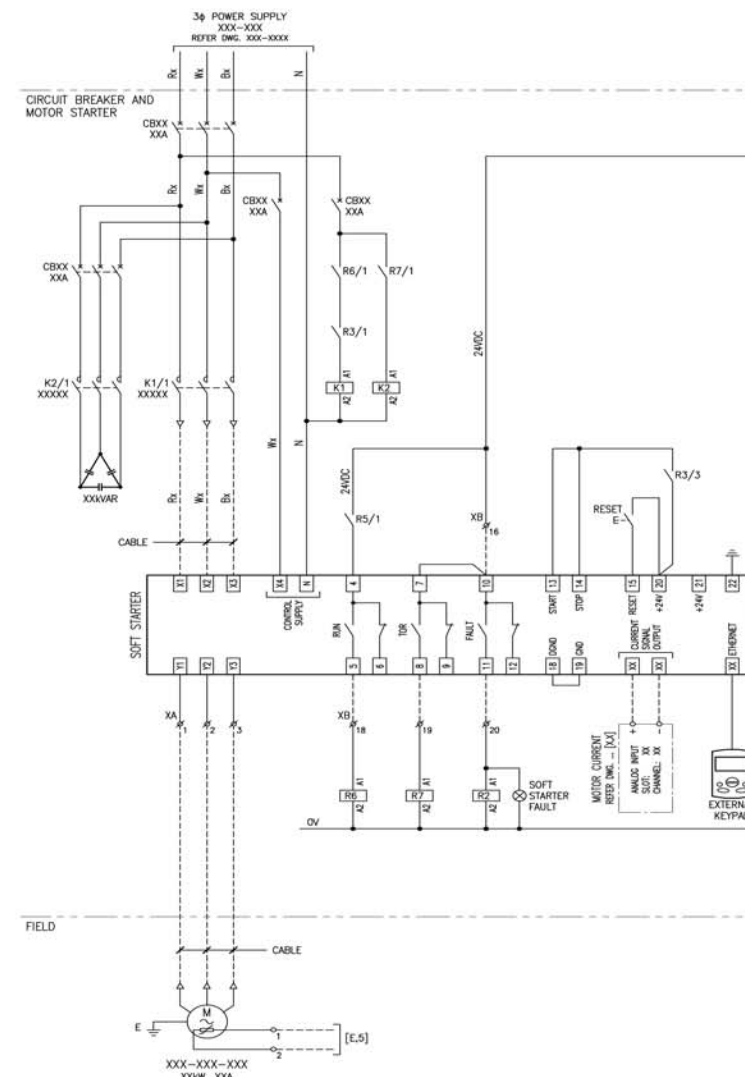
McMahon Ltd can provide the skills to survey and update important plant changes so that all documentation for the site are up to date to meet your Health & Safety obligations.



Outsourcing CAD Services

Benefits:

- Minimized business costs due to not having to employ additional staff.
- Reduced costs for office space, computers, software & costly upgrades, insurance, employee training and the like.
- Savings in salary available to invest in other core areas of your company.
- Ability to concentrate on your core business so your employees can be put to better use.



3D Design

Where more detailed installation design is required our 3D CAD modelling experience ensures that your complex design requirements can be visually represented.



Drawing Standards

We can use your in house drawing standards. However if you do not have specific standards our preference is to use IEC drawing and symbol standards. All our work is peer checked prior to issue.

What is the Cost?

We are a small Consultancy and are very cost competitive. We will provide a proposal to you and a clear work scope and summary of deliverables for your approval prior to commencing work. Projects can be billed on a lump sum or hourly rates. We also provide monthly, 6 month or 1 year support Contracts for our clients with longer term needs.

MCMAHON